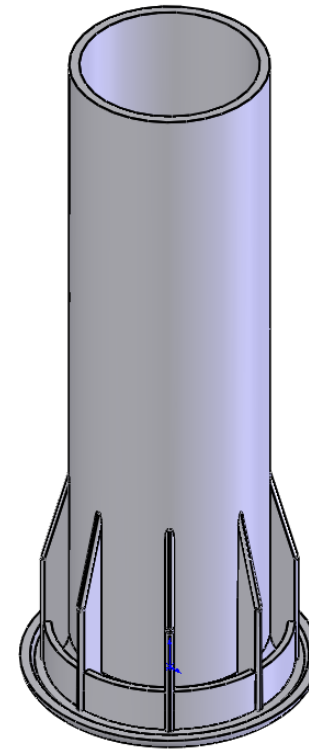
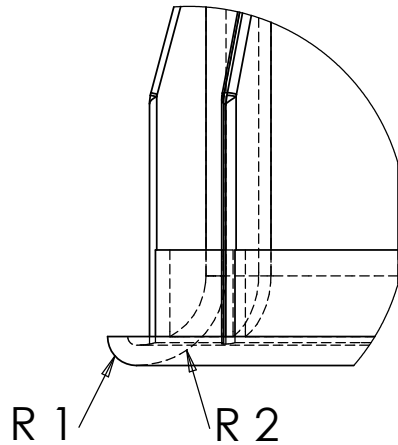
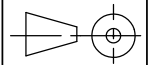


DETAIL A  
SCALE 2 : 1

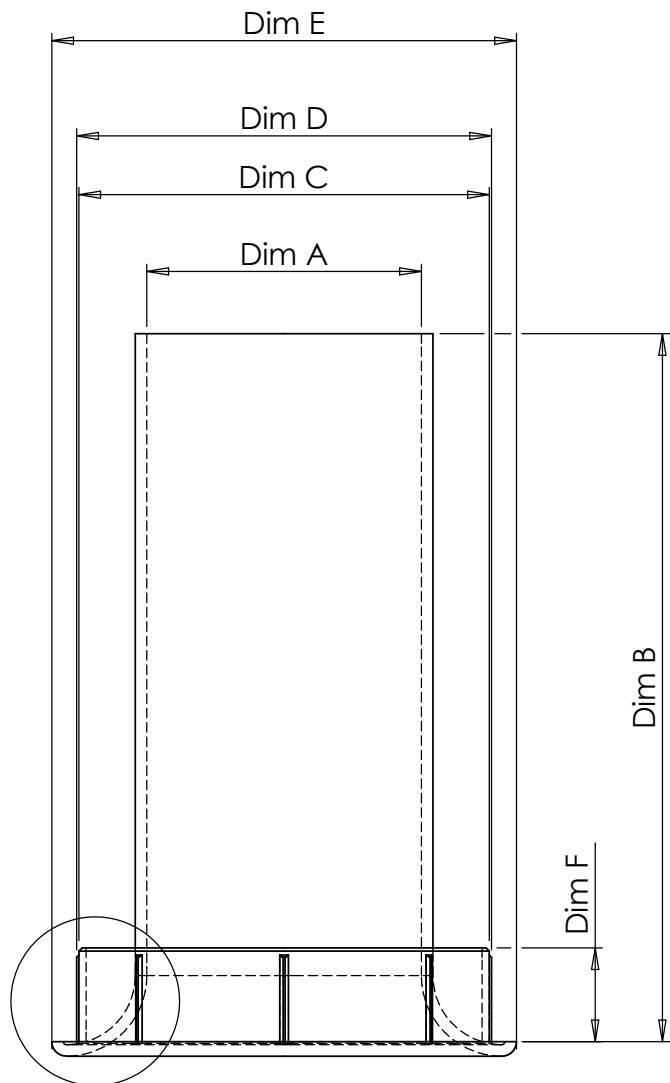


<b>Title</b>	RF Rocket Tube	See Chart "C"	<b>Product No.</b>	
<b>Material</b>	ABS		<b>Last Drawn by</b>	Clive
<b>Finish</b>	Polished		<b>Scale</b>	1:2
<b>Drg. No.</b>	FL-28_Series		<b>Sheet</b>	1 OF 1
			<b>Date Last Modified</b>	12 July 2004 10:58:39

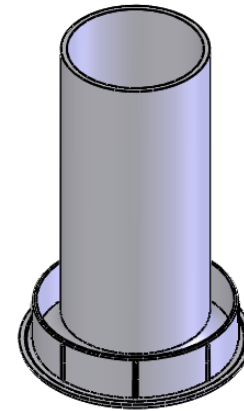
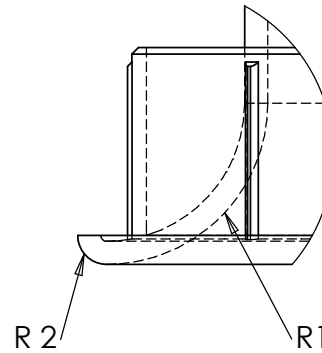


**Issue**





DETAIL A  
SCALE 2 : 1



A

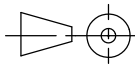
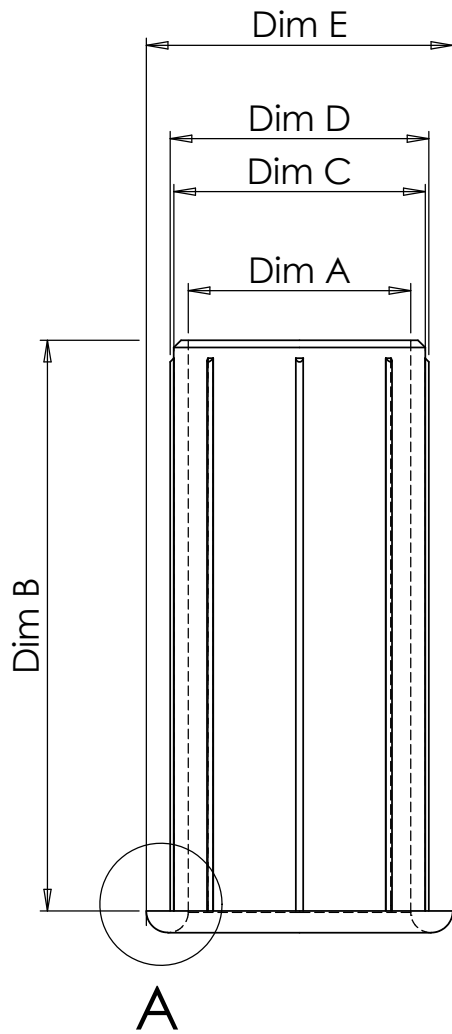
<b>Title</b> Flared Port Tube See chart "A"		<b>Product No.</b>	
<b>Material</b>	ABS	<b>Last Drawn by</b>	Clive 
<b>Finish</b>	Polished	<b>Scale</b>	1:2
		<b>Sheet</b>	1 OF 1
<b>Drg. No.</b>	Flared 43 series	<b>Date Last Modified</b>	12 July 2004 07:54:02

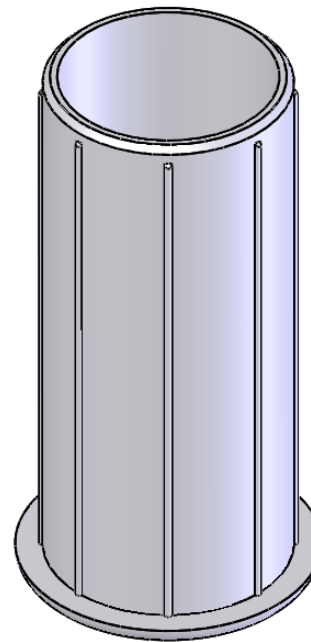
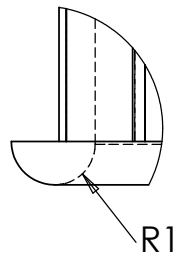
Chart "A"

Flared 43 series

	Dim "A"	Dim "B"	Dim "C"	Dim "D"	Dim "E"	Dim "F"	Rad "1"	Rad "2"
	Port Diameter	Tube Height	Shoulder Diameter	Ribs Diameter	Flange Diameter	Shoulder Height	Flare Radius	Return Radius
FL 38-80	38	80	56.8	57.4	64.3	13	22	2
FL 38-100	38	100	56.8	57.4	64.3	13	22	2
FL 38-150	38	150	56.8	57.4	64.3	13	22	2
FL 43-50	43	50	56.8	65.6	74.3	13	27	2
FL 43-110	43	110	56.8	65.6	74.3	13	27	2
FL 50-50	50	50	72.8	74.2	82	13	28	2
FL 50-80	50	80	72.8	74.2	82	13	28	2
FL 50-100	50	100	72.8	74.2	82	13	28	2
FL 50-130	50	130	72.8	74.2	82	13	28	2
FL 50-150	50	150	72.8	74.2	82	13	28	2
FL 70-150	70	150	99.7	101.5	118	18	42	3
FL 70-226	70	226	99.7	101.5	118	18	42	3



DETAIL A  
SCALE 2 : 1

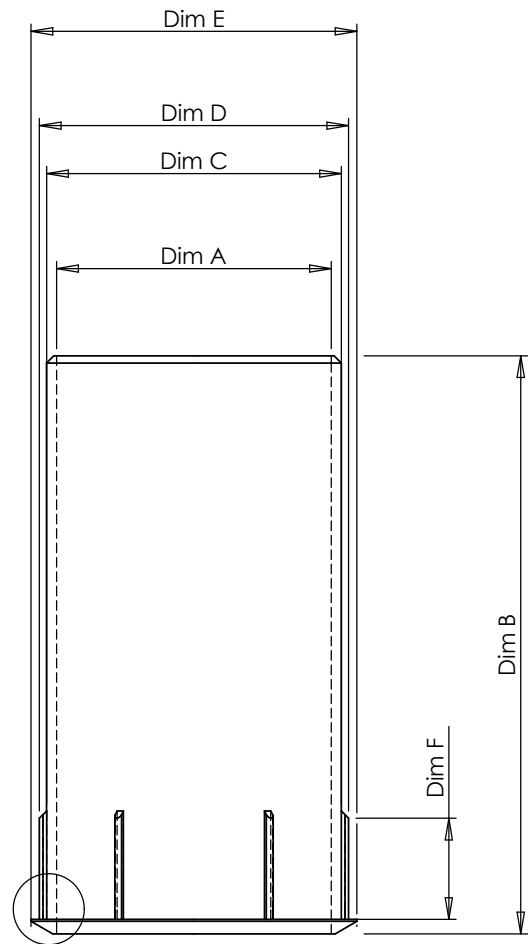


<b>Title</b> RF Port Tube See Chart "B"		<b>Product No.</b>	
<b>Material</b>	ABS	<b>Last Drawn by</b>	
<b>Finish</b>	Polished	<b>Scale</b> 1:2	
<b>Drg. No.</b>	RF 30 Series	<b>Sheet</b> 1 OF 1	<b>Issue</b>
		<b>Date Last Modified</b> 12 July 2004 08:47:07	

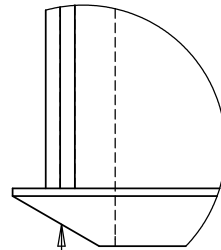
Chart "B"

**RF 30 series**

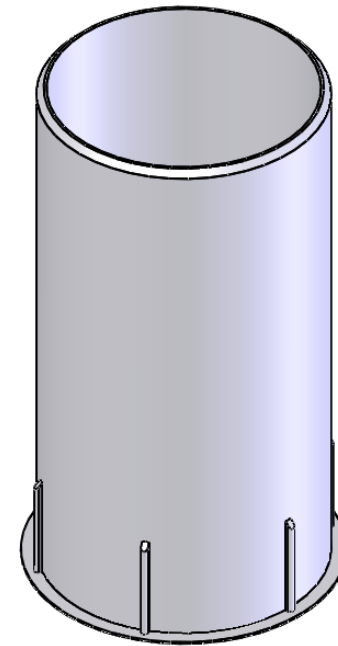
	Dim "A"	Dim "B"	Dim "C"	Dim "D"	Dim "E"	Rad "2"
	Port Diameter	Tube Height	Shoulder Diameter	Ribs Diameter	Flange Diameter	Return Radius
RF 32-80	30.8	80	34.8	35.8	42.4	3
RF 32-90	30.8	90	34.8	35.8	42.4	3
RF 32-105	30.8	105	34.8	35.8	42.4	3
RF 32-140	30.8	140	34.8	35.8	42.4	3
RF 50-60	50	60	54	55.4	61	2.5
RF 50-70	50	70	54	55.4	61	2.5
RF 50-110	50	110	54	55.4	61	2.5
RF 50-125	50	125	54	55.4	61	2.5
RF 50-180	50	180	54	55.4	61	2.5
RF 54-128	54	128	60	61	65.4	3
RF 70-55	70	55	74	75.2	82	3
RF 70-120	70	120	74	75.2	82	3
RF 70-154	70	154	74	75.2	82	3
RF 100-120	100	120	104	105.2	111	2.5
RF 100-154	100	154	104	105.2	111	2.5



DETAIL A  
SCALE 4 : 1



Chamfer



A

<b>Title</b>	Flat Flange Tube	See Chart "D"	<b>Product No.</b>
<b>Material</b>	ABS		<b>Last Drawn by</b> Clive
<b>Finish</b>	Polished		<b>Scale</b> 1:2 <b>Sheet</b> 1 OF 1
<b>Drg. No.</b>	FF-Series		<b>Date Last Modified</b> 12 July 2004 15:17:41

Chart "D"

**FF Series**

	Dim "A"	Dim "B"	Dim "C"	Dim "D"	Dim "E"
	<i>Port Diameter</i>	<i>Tube Height</i>	<i>Shoulder Diameter</i>	<i>Ribs Diameter</i>	<i>Flange Diameter</i>
FF 25-50	25	50	29	30	32.8
FF 25-60	25	60	29	30	32.8
FF 25-180	25	180	29	30	32.8
FF 32-16	32	16	35	35.6	41.3
FF 32-17	32	17	35	35.6	41.3
FF 32-18	32	18	35	35.6	41.3
FF 36-60	36	60	39.2	39.6	45.1
FF 38-50	38	50	40.8	42.8	45.1
FF 38-80	38	80	40.8	42.8	45.1
FF 38-105	38	105	40.8	42.8	45.1
FF 43-95	43	95	47	48	50.2
FF 43-135	43	135	47	48	50.2
FF 46-80	46	80	50	51.2	58
FF 46-100	46	100	50	51.2	58
FF 46-124	46	124	50	51.2	58
FF 50-12	51	12	54	55	60
FF 50-18	51	18	54	55	60
FF 50-52	51	52	54	55	60
FF 50-70	51	70	54	55	60
FF 55-110	53.5	110	58	60	65